

Style LFB

Y- EVWS

Cast Bronze (ASTM B 584, C89833)

125 lb. Threaded



*The wetted surface of this product contacted by consumable water contains less than 0.25% of lead by weight.

Cast Bronze Y-EVWS (Lead Free*)

APPLICATIONS

Potable water systems where water meter accuracy and downstream equipment protection is desired.

CONSTRUCTION

The Style LFB-EVWS valves are constructed from the finest bronze castings and are machined to exacting specifications.

FEATURES

The Style LFB-EVWS valves feature a machined seat in the body and cap for proper alignment and to ensure accurate reseating. These valves have a straight threaded cap. The gasket is a flat PTFE gasket that is compressed between the body and cap for maximum strength and durability. The EVWS allows unrestricted flow and continual electrical conductivity.

SELF CLEANING

Self-cleaning is accomplished and maintained by the valves piston oscillation and the use of porosity free acetal material.

WORKING PRESSURES - NON SHOCK

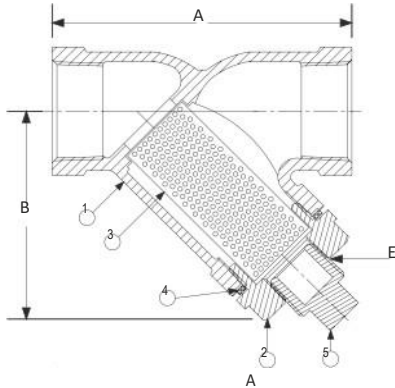
NOM. RATING	MEDIA	1/4" to 3"	8 mm to 80 mm
125# (THREADED)	W.O.G.	200 PSI @ 150°F	1379 KPa @ 66°C

Style LFB

Y-EVWS, 125 lb. NPT Threaded Joint

Cast Bronze (ASTM B 584, C89833) Lead Free*

Style LFB
(Threaded)



PARTS LIST		
ITEM	DESCRIPTION	MATERIAL
1	Body	Bronze (ASTM B 584, C89833)
2	Cap	Bronze (ASTM B 584, C89833)
3	Valve Assembly	Acetal, Stainless Steel (304)
4	Gasket	PTFE
5	Adjustment Rod	Stainless Steel (304)

*The wetted surface of this product contacted by consumable water contains less than 0.25% of lead by weight.

SIZE		DIMENSIONS												WEIGHTS			
		A				B				E				F7		E7	
		F7	E7	F7	E7	F7	E7	F7	E7	F7	E7	F7	E7	F7	E7		
in	mm	in	mm	in	mm	in	mm	in	mm	in	mm	in	mm	lbs	kg	lbs	kg
1/4	8	2-9/16	65	2-1/16	53	1-7/8	48	1-3/8	35	1/4	8	1/8	6	0.63	0.29	0.20	0.09
3/8	10	2-9/16	65	3-1/8	80	1-7/8	48	1-13/16	46	1/4	8	1/4	8	0.58	0.26	0.46	0.21
1/2	15	2-9/16	65	3-1/8	80	1-7/8	48	1-15/16	49	1/4	8	1/4	8	0.55	0.25	0.48	0.22
3/4	20	3	77	4-1/8	105	2-1/4	57	2-5/16	59	3/8	10	3/8	10	0.87	0.39	0.86	0.39
1	25	3-3/4	95	4-15/16	125	2-7/16	62	2-5/8	67	1/2	15	1/2	15	1.38	0.63	1.25	0.57
1-1/4	32	4-7/16	113	5-11/16	145	3-3/8	86	3-1/4	83	1/2	15	1/2	15	2.90	1.32	2.06	0.93
1-1/2	40	4-7/8	123	6-5/8	170	3-9/16	91	3-11/16	94	3/4	20	3/4	20	3.27	1.48	2.93	1.33
2	50	5-1/4	133	8-1/4	210	4-5/16	110	4-1/2	114	1	25	1	25	4.99	2.26	5.48	2.49
2-1/2	65	6-15/16	175	9-3/4	247.5	5	127	5-3/8	137	1-1/4	32	1-1/4	32	9.88	4.48	10.16	4.61
3	80	7-7/8	200	11-3/8	289	5-5/8	143	6-1/8	156	1-1/2	40	1-1/2	40	14.20	6.44	14.30	6.49

†This table reflects only the nearest metric equivalents.

Dimensions and weights are for reference only. When required, request certified drawings.

Face to face values for threaded strainers have a tolerance in compliance with ASME

B16.15.

This pressure drop chart is based on the flow of clean water through the LFB – EVWS listed above

TO USE CHARTS:

Find your desired rate of flow (GPM) on the left side of the chart. Follow its corresponding horizontal line to the point where it intersects the diagonal line indicating the LFB-EVWS pipe size. From this point of intersection, follow the vertical line down to the bottom of the chart to determine the approximate pressure drop.

